

AS-B Mini Pack



Designed specifically for applications with fixed flow and pressure characteristics, the reduced size oxygen receiver feature of our Mini Pack Oxygen Generators offers a quick start-up and a significantly smaller footprint than comparable systems that utilize a standard, separate receiver. Simply connect the unit's inlet to a suitable compressed air source, the oxygen outlet to the application, and the power cord to an appropriate electrical source. Start the generator, adjust the regulator to the required oxygen pressure and within minutes, produce oxygen at up to 95% concentration.

Typical Applications Environmental

- Ozone (Generator) Feed Gas
- Environmental Remediation

Features

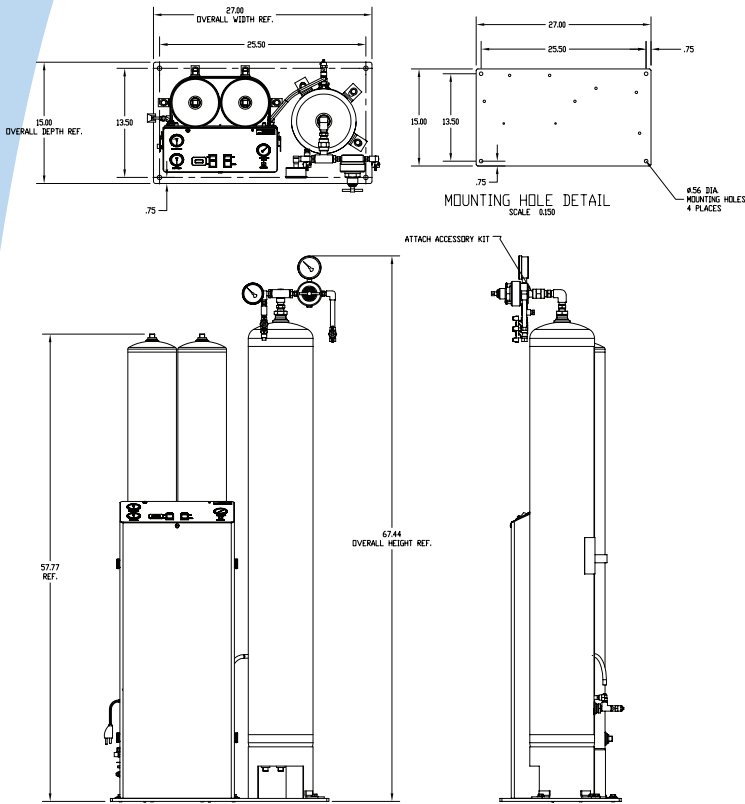
- Produces oxygen from an independent compressed air source
- Microprocessor controlled
- Low operating cost
- Automatic and unattended operation
- Easy to install and maintain
- Small footprint

Specifications

Product Flow	45 – 55 SCFH (1.18 – 1.45 Nm ³ /hr or 21 – 25 LPM) ¹
Product Pressure	45 – 55 psig (310 – 379 kPa or 3.0 – 3.7 barg) ¹
Product Concentration	Up to 95%
Product Dew Point	-100°F (-73°C)
Dimensions (W x D x H) (Nominal)	27 x 15 x 68 in (69 x 38 x 173 cm)
Weight	363 lb (165 kg) [Generator and receiver]
Physical Connections ²	
Compressed Air Inlet	¼" FNPT
Product Gas Outlet	¼" FNPT
Ambient Operating Conditions	Locate the oxygen generator in a well-ventilated area that is protected from weather elements and remains between 40°F (4°C) and 104°F (40°C)
Feed Air Requirements	Flow Rate: <i>Refer to chart on reverse page.</i> Clean and Dry "Plant Air" (Class 5.6.4 per ISO 8573.1) Pressure: 90 psig (621 kPa or 6.2 barg) minimum Temperature: 122°F (50°C) maximum
Control Power Requirements (Single Phase)	120 V ~ ±10%, 50/60 Hz, 1.0 A or 220 V ~ ±10%, 50/60 Hz, 0.5 A
NRTL Certifications and Approvals	CAN/CSA-C22.2 No. 61010-1-12, ANSI/UL Std. No. 61010-1:2012 (for 120 V configurations only)

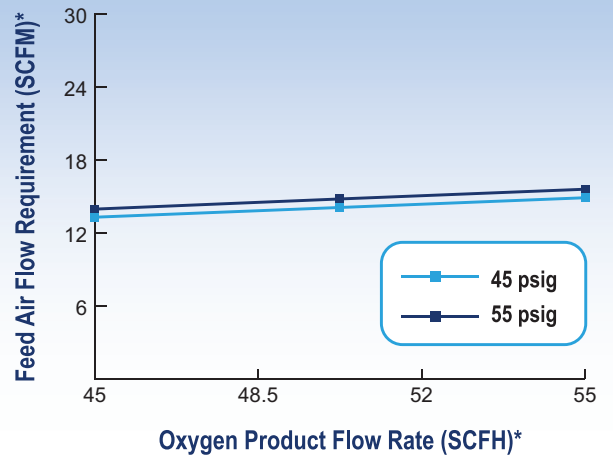
¹ SCF (Standard cubic foot) gas measured at 1 atmosphere and 70°F / Nm³ (Normal cubic meter) gas measured at 1 atmosphere and 0°C / LPM (Liters per minute) gas measured at 1 atmosphere and 21°C

² Hose and applicable adapters included with optional Factory-supplied accessory kits.



Note: All dimensions are nominal.

Model AS-B Mini Pack Oxygen Generator Feed Air Requirement**



* SCF (Standard cubic foot) gas measured at 1 atmosphere and 70°F

**Time weighted average. Contact Factory for air compressor sizing assistance.

Ordering Information

Model	Part Number	Description
AS-B Mini Pack	AS101-11	120 V ~ ±10%, 50/60 Hz (includes reduced size oxygen receiver) ¹
	AS101-12	220 V ~ ±10%, 50/60 Hz (includes reduced size oxygen receiver) ¹
Required Accessories	KI410-1	Accessory Kit (interconnecting hoses/fittings and oxygen regulator)
	KI410-2	Accessory Kit (interconnecting hoses/fittings, oxygen regulator and oxygen filter)
	KI474-1	Accessory Kit (10 ft stainless braided oxygen hose - from oxygen regulator to use point)
Optional Accessories	KI404-1	Accessory Kit (manual switch-over manifold for cylinder backup)
	AN021-1	Oxygen Analyzer (Maxtec Handi)
	AN005-1	Oxygen Analyzer (Maxtec Max O ₂ Plus)
	AN075-1	Oxygen Analyzer/Sensor (Maxtec Max O ₂ Plus)
Shipping Information		AS-B Mini Pack
Class		92.5
Commodity Classification Number		8421.39.8040
Dimensions (W x D x H)		34 x 42 x 72 in (86 x 107 x 183 cm) with Accessory Kit(s), Crated
Gross Weight		388 lb (176 kg) with Accessory Kit(s), Crated

Warranty: 1 Year Parts and Factory Labor***

*** An unprotected or inadequately ventilated environment, or improper control power may cause damage to the oxygen generator not covered under warranty.

¹ Specify oxygen flow and pressure at time of order.

All performance ratings based on an ambient temperature up to 100°F (38°C), up to 1,000 feet elevation, and 80% relative humidity.



CAIRE[®]

© 2019 AirSep Corporation. All Rights Reserved.
AirSep reserves the right to discontinue its products, or change the prices, materials, equipment, quality, descriptions, specifications and/or processes to its products at any time without prior notice and with no further obligation or consequence. Any rights expressly stated herein are reserved by us, as applicable.



260 Creekside Drive
Buffalo, NY 14228-2075 U.S.A.
Tel: (716) 691-0202 ■ Fax: (716) 691-1255
www.airsepcpd.com ■ info@airsep.com
ML-IND0024 D