

Onyx Series



Specifically designed for reliability, energy efficiency, and ease-of-use, there are thousands of Onyx PSA Oxygen Generators currently in use throughout the world. The Onyx's reliability, low noise level, and ability to deliver up to 95% oxygen concentration make it a perfect fit for many applications.

Features

- Self-contained (internal air compressor)
- Transportable roller base design
- Advanced Engineering
- Easy to install and maintain
- Low operating cost
- Time-proven reliability
- High-impact polystyrene enclosure

Typical Applications

Manufacturing

- Jewelry/Brazing/Soldering
- Glass Work/Blowing

Environmental

- Ozone (Generator) Feed Gas
- Environmental Remediation

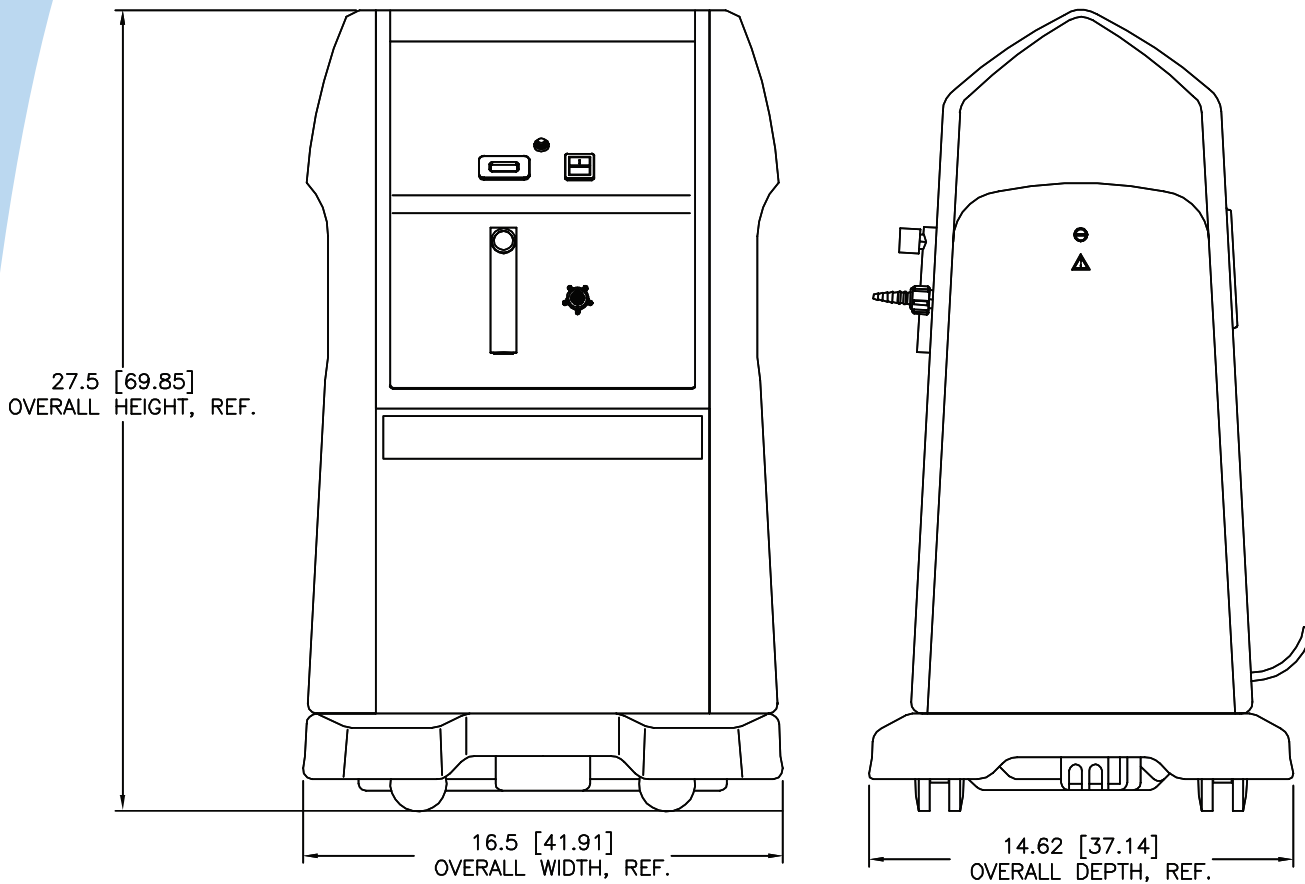
Additional

- Fish Farming
- Laboratory Experiments
- Aquaponics
- Hydroponics

Specifications

	Onyx	Onyx Ultra
Product Flow ¹	12 SCFH (0.31 Nm ³ /hr or 6 LPM)	21 SCFH (0.55 Nm ³ /hr or 10 LPM)
Product Pressure	9 psig (62 kPa or 0.62 barg)	20 psig (138 kPa or 1.37 barg)
Product Concentration	Up to 95%	Up to 95%
Product Dew Point	-100°F (-73°C)	-100°F (-73°C)
Dimensions (W x D x H) (Nominal)	16 x 15 x 29 in (40 x 37 x 72 cm)	16 x 15 x 29 in (40 x 37 x 72 cm)
Weight	51 lb (23 kg) [Add 1 lb (0.4 kg) for 220 V ~ unit]	56 lb (25 kg) [Add 1 lb (0.4 kg) for 220 V ~ unit]
Physical Connection Product Gas Outlet	¼" FNPT JIC-8	¼" FNPT JIC-8
Ambient Operating Conditions	Locate the oxygen generator in a well-ventilated area that is protected from weather elements and remains between 40°F (4°C) and 112°F (44°C)	
Control Power Requirements (Single Phase)	120 V ~ ±10%, 60 Hz, 5.0 A 220 V ~ ±10%, 50 Hz, 2.5 A 220 V ~ ±10%, 60 Hz, 2.3 A	120 V ~ ±10%, 60 Hz, 6.0 A 220 V ~ ±10%, 50 Hz, 3.0 A
NRTL Certifications and Approvals	CAN/CSA-C22.2 No. 61010-1-12, UL 61010-1 (120 V configurations only)	

¹ SCF (Standard cubic foot) gas measured at 1 atmosphere and 70°F / Nm³ (Normal cubic meter) gas measured at 1 atmosphere and 0°C / LPM (Liters per minute) gas measured at 1 atmosphere and 21°C



Note: All dimensions are nominal.

Ordering Information

Model	Part Number	Description
Onyx	AS016-1	120 V ~ ±10%, 60 Hz
	AS016-2	220 V ~ ±10%, 50 Hz
	AS016-6	220 V ~ ±10%, 60 Hz
Onyx Ultra	AS121-1	120 V ~ ±10%, 60 Hz
	AS121-2	220 V ~ ±10%, 50 Hz
Optional Accessories	AN021-1	Oxygen Analyzer (Maxtec Handi)
	AN005-1	Oxygen Analyzer (Maxtec Max O ₂ Plus)
	AN075-1	Oxygen Analyzer/Sensor (Maxtec Max O ₂ Plus)

Shipping Information	Onyx	Onyx Ultra
Class	92.5	92.5
Commodity Classification Number	8421.39.8040	8421.39.8040
Dimensions (W x D x H)	17 x 16 x 34 in (44 x 40 x 85 cm)	17 x 16 x 34 in (44 x 40 x 85 cm)
Gross Weight	63 lb (29 kg)	66 lb (30 kg)

Warranty: 1 Year Parts and Factory Labor*

* An unprotected or inadequately ventilated environment, or improper control power may cause damage to the oxygen generator not covered under warranty.

All performance ratings based on an ambient temperature up to 100°F (38°C), up to 1,000 feet elevation, and 80% relative humidity.



CAIRE®

© 2019 AirSep Corporation. All Rights Reserved.
AirSep reserves the right to discontinue its products, or change the prices, materials, equipment, quality, descriptions, specifications and/or processes to its products at any time without prior notice and with no further obligation or consequence. Any rights expressly stated herein are reserved by us, as applicable.

AIRSEP®

260 Creekside Drive
Buffalo, NY 14228-2075 U.S.A.
Tel: (716) 691-0202 ■ Fax: (716) 691-1255
www.airsepcpd.com ■ info@airsep.com
ML-IND0002 E