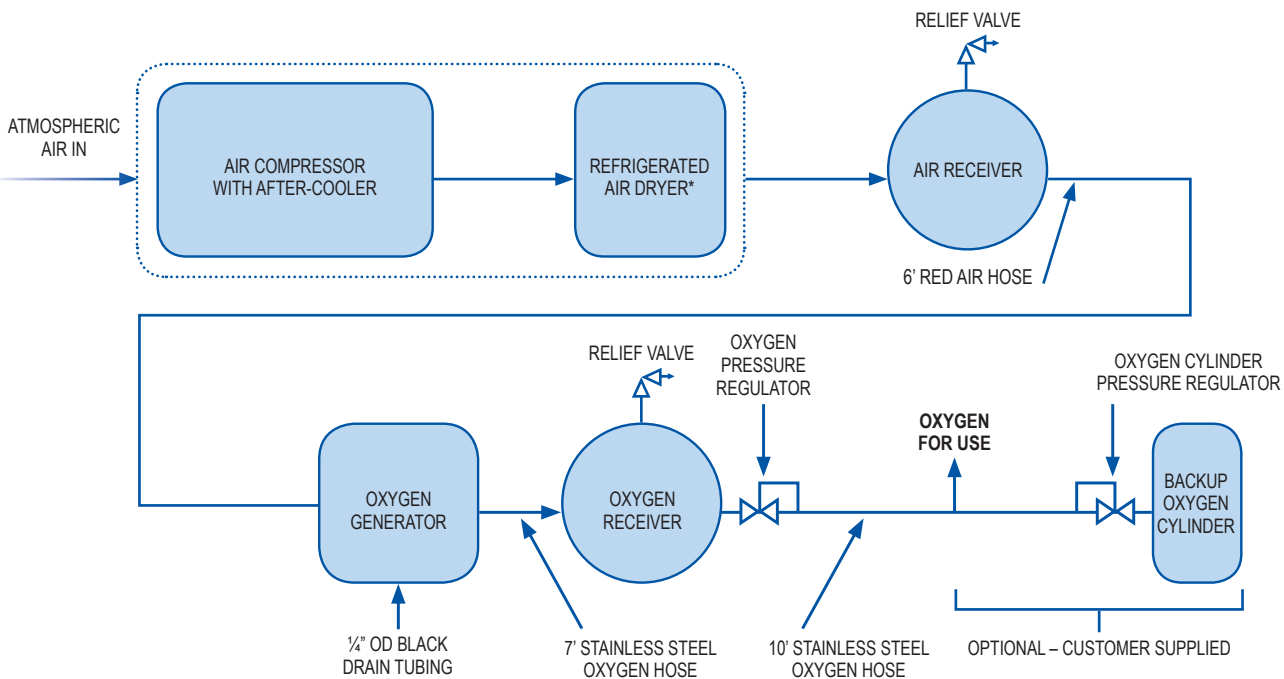


Typical Layout

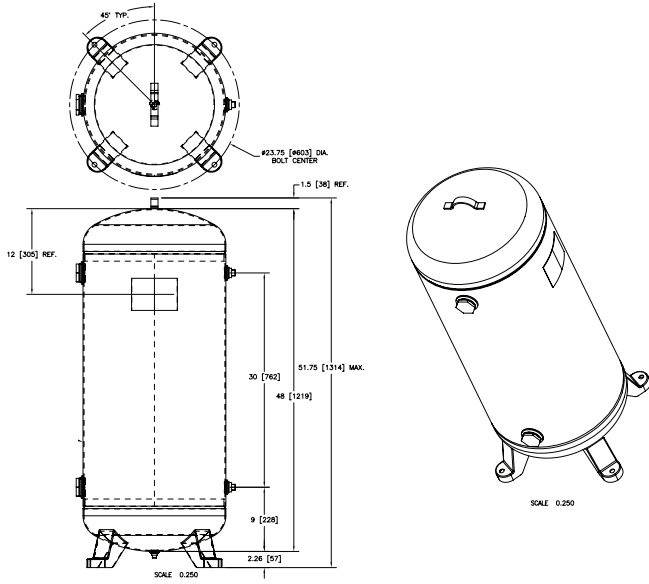


AirSep excels as the leading supplier of PSA oxygen systems — worldwide — offering the most cost-effective, most efficient, and safest oxygen sources for today's diverse oxygen applications. AirSep can package any of the Alpha-Series Standard Generators with a multitude of options and accessories to provide a turnkey solution for just about any oxygen need. AirSep also has several pre-configured Packaged Systems, which are designed to match the most common applications.

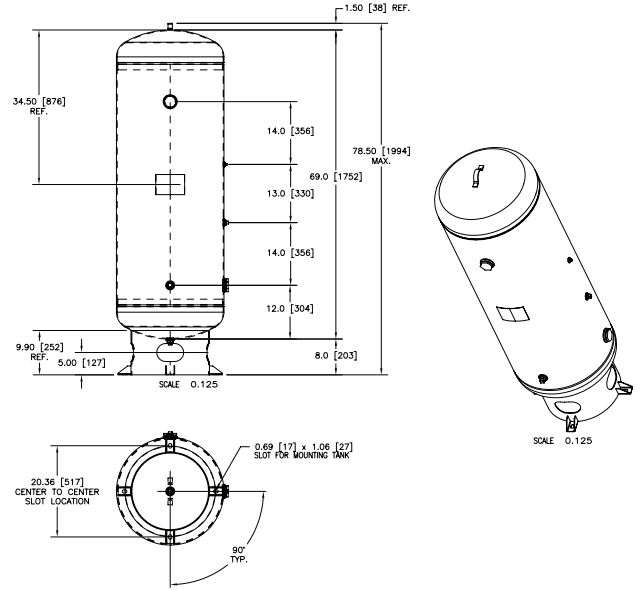
Model AS-A — AS-L Standard Generator Typical Layout with Optional Cylinder Backup



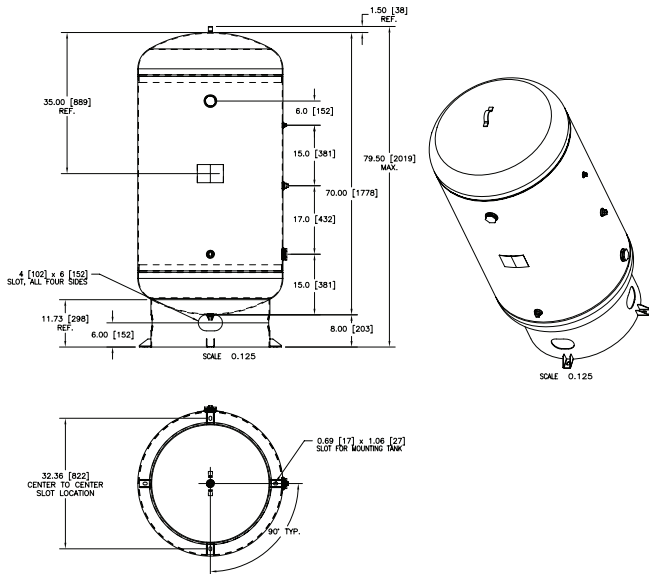
*This component may or may not be required depending on the ambient site conditions. Contact Factory for air compressor equipment selection assistance.



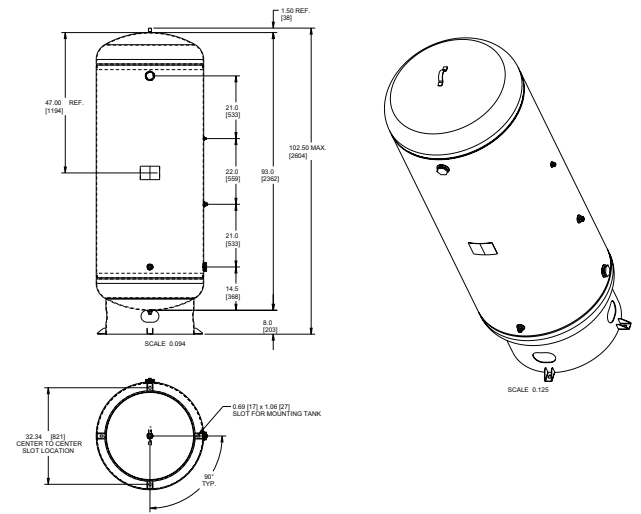
Model AS-A – AS-E Generator 60 Gallon Receiver



Model AS-G and AS-J Generator 120 Gallon Receiver



Model AS-K – AS-L (flows up to 1,199 SCFH) Generator 290 Gallon Receiver



Model AS-L (flows above 1,199 SCFH) Generator 400 Gallon Receiver

Note: All dimensions are nominal.



© 2019 AirSep Corporation. All Rights Reserved.
 AirSep reserves the right to discontinue its products, or change the prices, materials, equipment, quality, descriptions, specifications and/or processes to its products at any time without prior notice and with no further obligation or consequence. Any rights expressly stated herein are reserved by us, as applicable.



260 Creekside Drive
 Buffalo, NY 14228-2075 U.S.A.
 Tel: (716) 691-0202 ■ Fax: (716) 691-1255
 www.airsepcpd.com ■ info@airsep.com
 ML-IND0031 D